

K 31/32/38/39

- CONTROLLER WITH INDEPENDENT TIMER
- 8 SEGMENTS PROGRAMMER
- WATTMETER FUNCTION



FEATURES

DISPLAY	K31	K32	K38	K39
Display	Single: 4 red digit, h 12 mm + 3 LEDs Bargraph	Dual: 4 red and 4 green digit, h 7mm	Single: 4 red digit, h 12 mm + 3 LEDs Bargraph	Dual: 4 red and 4 green digit, h 7mm
INPUTS				
4 different configurations	Thermocouples: J (0... 1000°C / 32... 1832°F), K (0... 1370°C / 32... 2498°F), S,R (0... 1760°C / 32... 3200°F), T (0... 400°C / 32... 752°F) and Infrared sensors J or K + Thermoresistances: 3 wires Pt 100 (-200... 850°C / -328... 1562°F)			
	Thermocouples: J (0... 1000°C / 32... 1832°F), K (0... 1370°C / 32... 2498°F), S,R (0... 1760°C / 32... 3200°F), T (0... 400°C / 32... 752°F) and Infrared sensors J or K + Thermistors: PTC KTY 81-121 (990Ω at 25°C) (-55... 150°C / -67... 302°F) and Thermistors: NTC 103AT-2 (10kΩ at 25°C) (-50... 110°C / -58... 230°F)			
	Linear signals 0/4... 20mA			
Accuracy	Linear signals 0/10... 50mV, 0/12... 60mV, 0/1... 5V, 0/2... 10V			
Digital inputs	±0.5% fs + 1 digit; tc S ±1% fs + 1 digit			
	2 for free voltage contacts		--	
OUTPUTS				
Up to 4 (K31 and K32) Up to 2 (K38 and K39)	OUT 1 and OUT 2: Relay SPDT (8A-AC1, 3A-AC3/250 Vac) or 12V ±20% 20 mA max. to drive SSR OUT 3 and OUT 4: Relay SPST-NO (5A-AC1, 3A-AC3/250 Vac) or 12V ±20% 20 mA max. to drive SSR		OUT 1 and OUT 2: Relay SPDT (8A-AC1, 3A-AC3/250 Vac) or 12V ±20% 20 mA max. to drive SSR	
Auxiliary power supply	12 Vdc/20 mA max.			
FUNCTIONAL				
Control	ON/OFF, Neutral Zone, PID single and double action			
PID functions	PID H/C control with overshoot control, Selftuning and 2 Autotuning algorithms			
Multi Set Point	Up to 4 pre-programmable Set Point			
Program	Up to 8 segments with guaranteed soak			
Timer	Independent with 4 function modes			
Signal retransmission	Set Point		--	
Serial communication	RS485 with ModBus-RTU (JBUS) protocol		TTL ModBus	
Baud rate	1200... 38400 baud, programmable		--	
GENERAL				
Power supply	12 Vac/Vdc, 24 Vac/Vdc, 100... 240 Vac/Vdc ±10% (50/60 Hz)			
Power consumption	6 VA approx.			
Dimensions / Weight	78 x 35 mm - depth 64 mm or 78.5 mm with plug-in terminals / 180 g approx.		78 x 35 mm - depth 64 mm / 180 g approx.	
Keyboard	Mechanical	Mechanical or "Sensitive Touch"	Mechanical	
Mounting	Flush in panel in 71 x 29 mm hole			
Connections	Plug-in terminals or Screw terminal block 2 x 1 mm ²		Screw terminal block 2 x 1 mm ²	
Front protection degree	IP 65, mounted on panel with gasket			
Operating / storage temperature	0... 50°C (32... 122°F) / -30... 70°C (-22... 158°F)			
Operating humidity	20... 85 RH% without condensation			
Conformity	Directive EMC 2004/108/CE (EN 61326-1), Directive BT 2006/95/CE (EN 61010-1)			

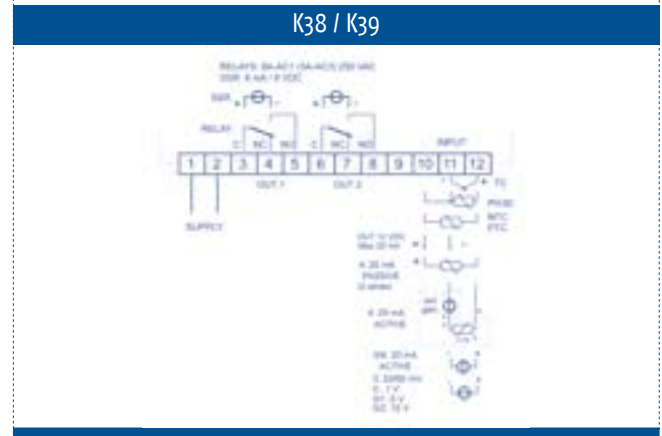
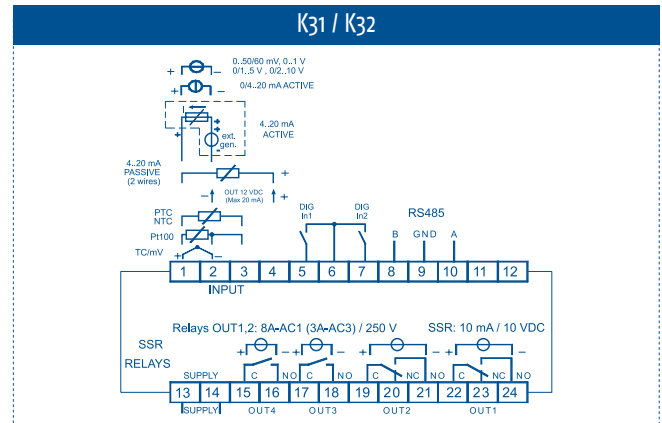
HOW TO ORDER

To compose the part number, pls. choose one of the option for each variable

K31 / K32 / K38 / K39	CODE
KEYBOARD	
Mechanical	-
Sensitive-Touch (*) - K32 only	S
VERSION	
Controller	-
Controller + Timer	T
Controller + Timer + Programmer	P
POWER SUPPLY	
12 Vac/Vdc	F
24 Vac/Vdc	L
100... 240 Vac	H
INPUT	
TC,PT100,mV	C
TC,PTC,NTC,mV	E
0/4... 20mA	I
0... 1V, 0/1... 5V, 0/2... 10V	V
OUT 1	
Relay SPDT 8A-AC1	R
Vdc for SSR driving	O
Mosfet output (K31 only)	M
OUT 2	
Relay SPDT 8A-AC1	R
Vdc for SSR driving	O
Not available	-
OUT 3 (SOLO K31 E K32)	
Relay SPST-NO 5A-AC1	R
Vdc for SSR driving	O
Not available	-
OUT 4 (SOLO K31 E K32)	
Relay SPST-NO 5A-AC1	R
Vdc for SSR driving	O
Not available	-
SERIAL COMMUNICATION (K31 AND K32)	
RS485	S
TTL ModBus	-

(*) K32: Capacitive Touch screen keyboard

CONNECTIONS



DIMENSIONS

