

K38V

- PROGRAMMABLE INDICATORS
- UP TO 2 OUTPUTS FOR ALARMS MANAGEMENT
- TTL MODBUS COMMUNICATION



FEATURES

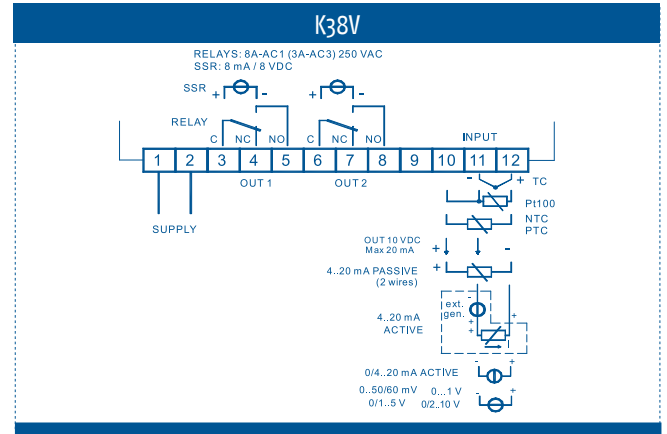
DISPLAY	
Single	K38V 4 red digit, h 12 mm + 3 LEDs Bargraph
INPUTS	
4 different configurations	Thermocouples J (0... 1000°C/32... 1832°F), K (0... 1370°C/32... 2498°F), S,R (0... 1760°C/32... 3200°F), T (0... 400°C/32... 752°F) e Infrared sensors J or K + Thermoresistances Pt 100 3 wires (-200... 850°C/-328... 1562°F)
	Thermocouples: J (0... 1000°C / 32... 1832°F), K (0... 1370°C / 32... 2498°F), S,R (0... 1760°C / 32... 3200°F), T (0... 400°C / 32... 752°F) and Infrared sensors J or K + Thermistors: PTC KTY 81-121 (990Ω at 25°C) (-55... 150°C / -67... 302°F) and Thermistors: NTC 103AT-2 (10kΩ at 25°C) (-50... 110°C / -58... 230°F)
	Linear signals 0/4... 20mA Linear signals 0/10... 50mV, 0/12... 60mV, 0/1... 5V, 0/2... 10V
OUTPUTS	
Up to 2	OUT 1 and OUT 2: Relay SPDT (8A-AC1, 3A-AC3/250 Vac) or 12V ±20% 20 mA max. to drive SSR
Auxiliary power supply	12 Vdc/20 mA max.
FUNCTIONAL	
Serial communication	TTL ModBus
GENERAL	
Power supply	12 Vac/Vdc, 24 Vac/Vdc, 100... 240 Vac/Vdc ± 10% (50/60 Hz)
Power consumption	6 VA approx.
Dimensions / Weight	78 x 35 mm - depth 64 mm / 180 g approx.
Connections	Screw terminal block 2 x 1 mm ²
Mounting	Flush in panel in 71 x 29 mm hole
Front protection degree	IP 65, mounted on panel with gasket
Operating / storage temperature	0... 50°C (32... 122°F)/-30... 70°C (-22... 158°F)
Operating humidity	20... 85 RH% without condensation
Conformity	Direttive EMC 2004/108/CE (EN 61326-1), Direttive BT 2006/95/CE (EN 61010-1)

HOW TO ORDER

To compose the part number, pls. choose one of the option for each variable

K38V	CODE
POWER SUPPLY	
12 Vac/Vdc	F
24 Vac/Vdc	L
100... 240 Vac/Vdc	H
INPUT	
TC, PT100, mV	C
TC, PTC, NTC, mV	E
0/4... 20mA	I
0... 1V, 0/1... 5V, 0/2... 10V	V
OUT 1	
Relay SPDT 8A-AC1	R
Vdc for SSR driving	0
OUT 2	
Relay SPDT 8A-AC1	R
Vdc for SSR driving	0
Not available	-

CONNECTIONS



DIMENSIONS

